

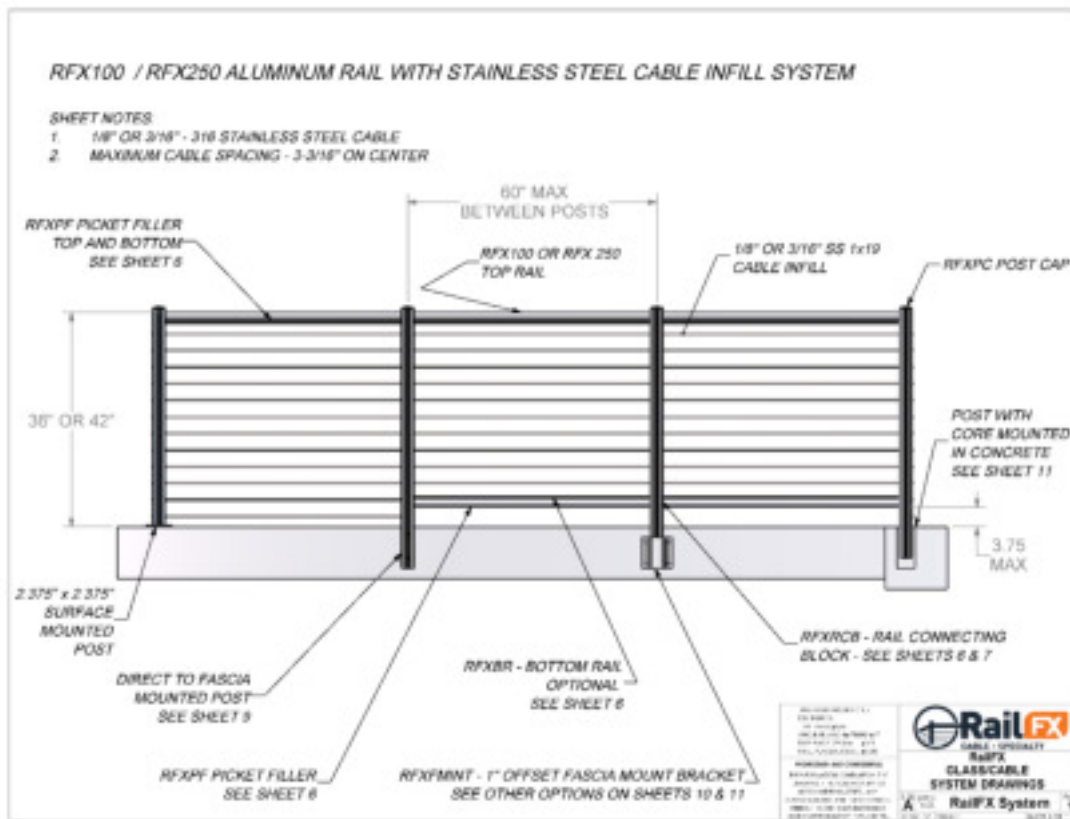


INSTALLATION INSTRUCTIONS: RFX100 Cable Infill

Tools and Components Needed for Install (not included)

- Angle Finder
- Cordless Impact Drill
- Cut Off Wheel
- Cable Release Key
- Drill
- Ear Plugs
- Eye Protection
- Fine File
- Level
- Masking Tape
- Pen/Pencil
- Power Miter saw with 80 tooth carbide blades
- Razor Knife
- Roto Hammer with 3/8" concrete drill bit*
- String/ Laser
- Tape Measure
- Vice Grips / Cable Gripping Pliers (see Picture below)
- #2 Phillips bit
- #2 Square drive bit
- 3/8" Drill Bit
- 9/16 Socket with adapter for impact drill

*For concrete applications



1. Reference Drawing / Plan

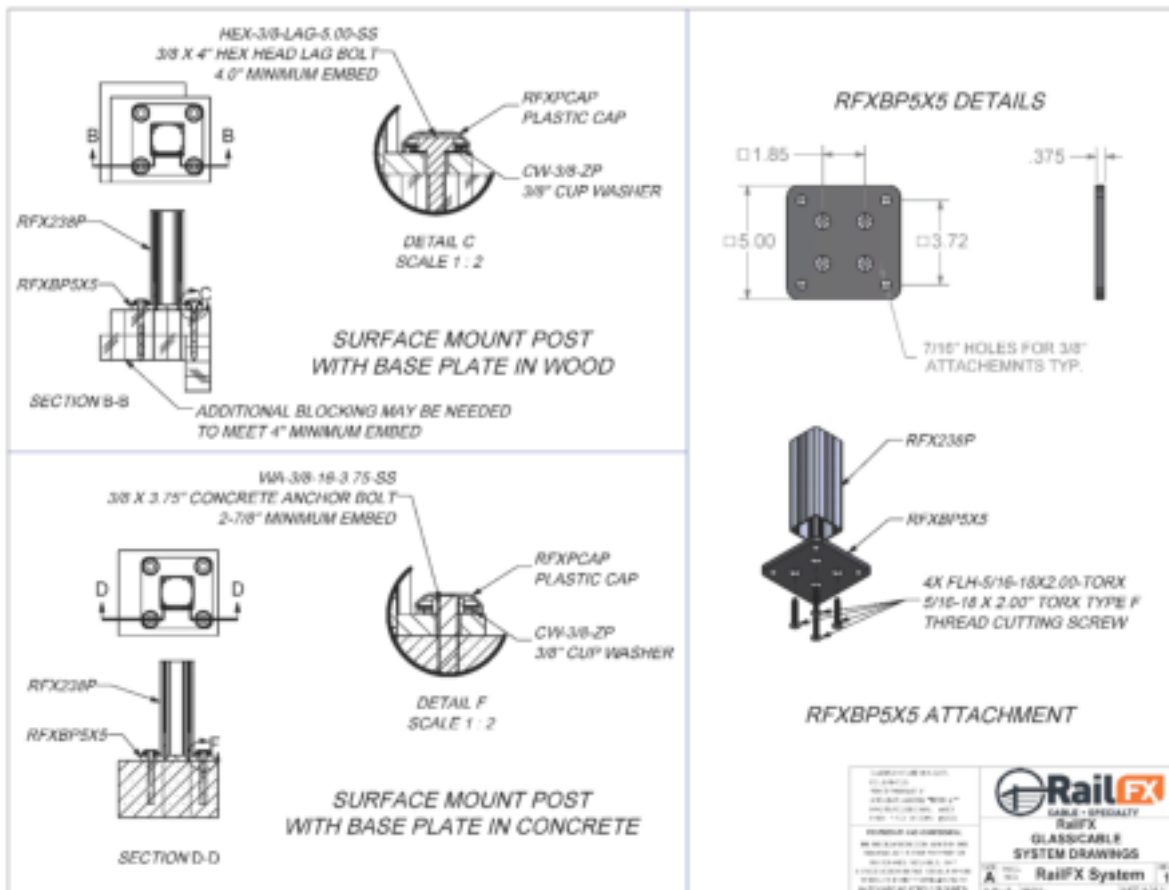
2. Set Posts

There are three possible post mounting configurations:

- a. Surface mounted
- b. Direct to fascia mounted
- c. Fascia bracket mounted
- d. Core mounted in concrete

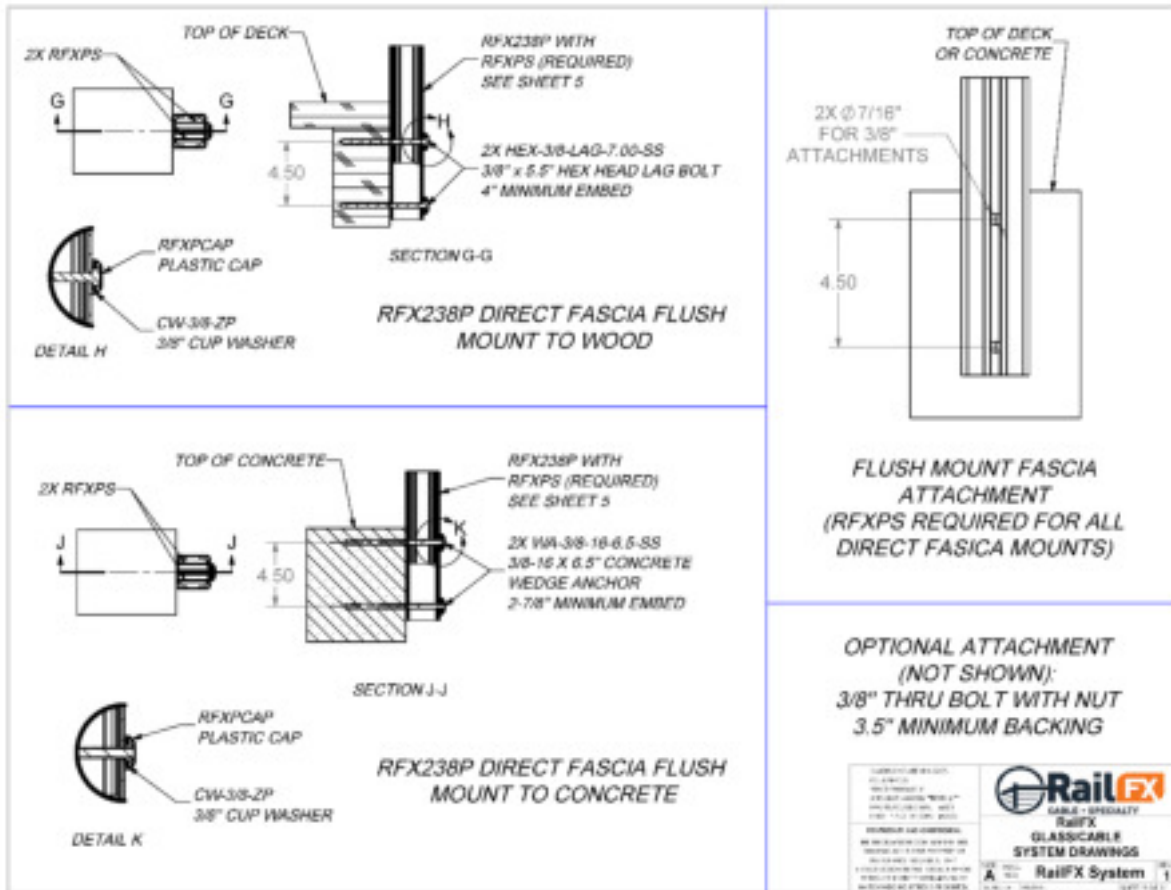
Your rail system may utilize more than one of the above mounting configurations. Please reference your drawing and familiarize yourself with the mounting configuration(s) utilized in your job.

Surface mounted:



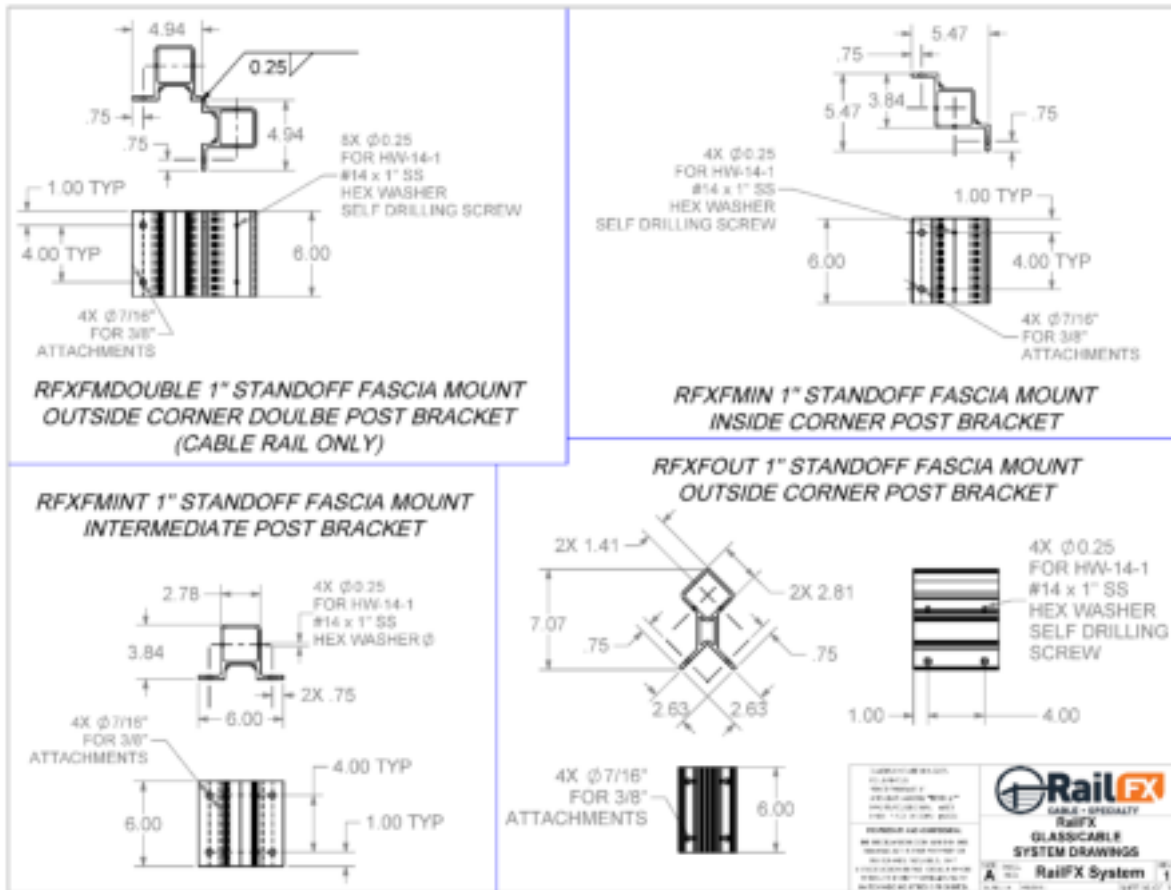
Need help?
 Call (206) 453-1123
RailFX.net

Direct to fascia mounted:



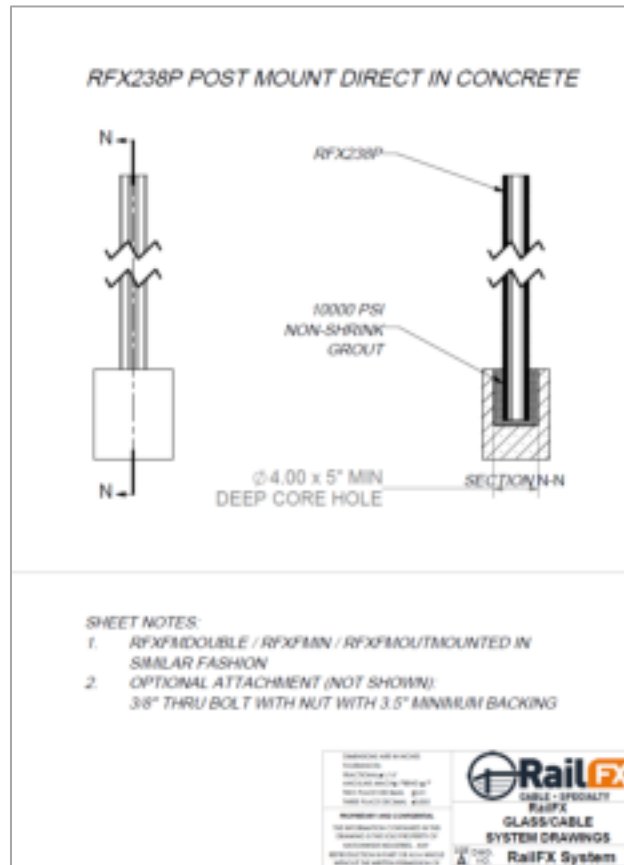
Need help?
 Call (206) 453-1123
RailFX.net

Fascia bracket mounted:



Need help?
Call (206) 453-1123
RailFX.net

Core Mounted in Concrete:



3. Set Corner/ End Posts

Using one of the mounting methods above, set all corner Corner/ end posts. Corner/ end post may be terminating posts (29/64" holes), or they may be intermediate posts (3/16" holes). If the corner post has 3/16" holes the cables will wrap around the corner. However, if the corner post has 29/64" holes the cables will terminate in the corner.

4. Single Corner Post Installation

Install cables in posts. **It is important to only tension cables once the top rail is installed. Refer to RailFX cable installation instructions for more details.**

To install cable through corner posts, slightly bend the cable to make lacing the cable though the corner easier.

Need help?
Call (206) 453-1123
RailFX.net



Start by inserting the bent cable through the drilled hole in the post. Then, lace the cable through the post to the corresponding drilled hole on the other side of the post. Do this for all cables. Once the cables are installed through corner post, push the cable back into post to create a loop.



Drop the 1/2 galvanized pipe into the post through the cable loops. Once the galvanized pipe is all the way in the post, pull the cables towards you to tighten the hold with the pipe. Do this for all cables in the corner post.



Install the top rail and top rail filler.

Need help?
Call (206) 453-1123
RailFX.net

5. Set Intermediate Posts

Intermediate posts can be identified by their smaller 3/16" holes. In addition, intermediate posts will be found in between corner posts, terminating posts, and end posts. Using a string or laser set intermediate posts in between corner/ end posts. **Post spacing 5' max.**

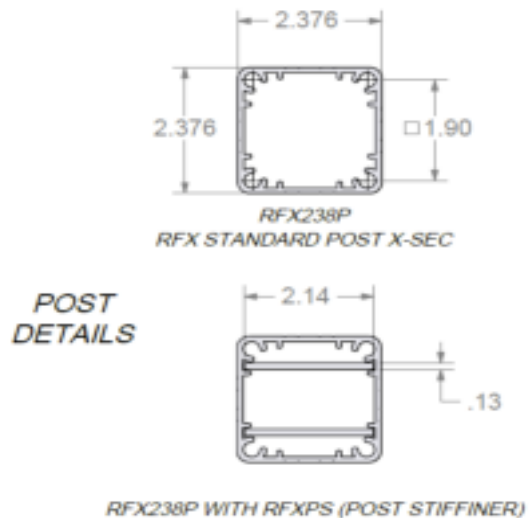
[Post Spacing Calculator](#)

6. Plumb Posts

1. Before installing the top rails, it is important that all posts are plumb. If post is not plumb, loosen lag bolts and shim post until plumb. **Do not proceed until all posts are plumb.**

7. Install Post Stiffeners

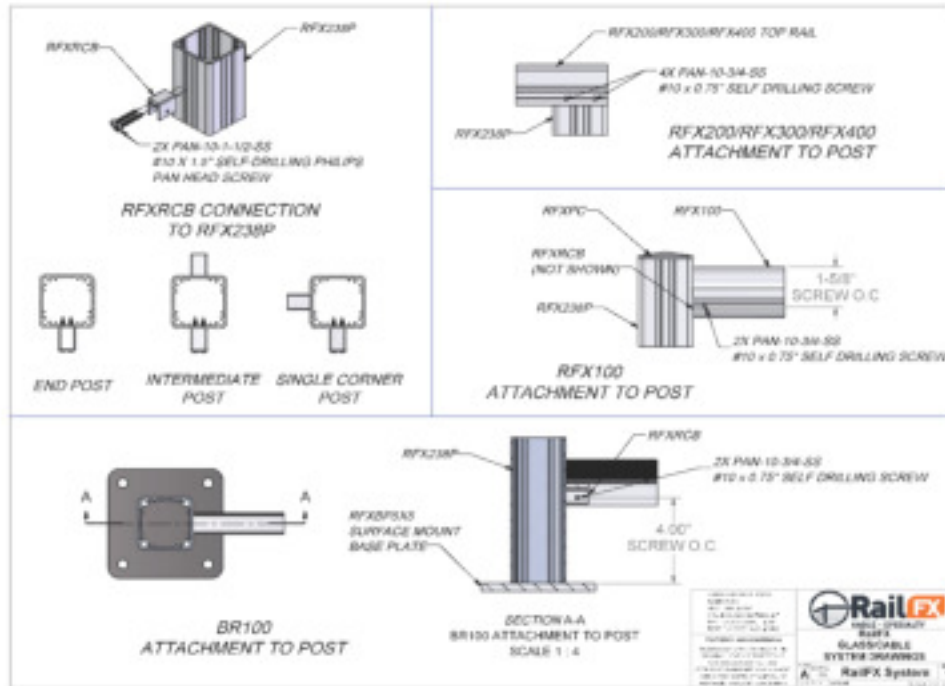
Once all posts are mounted, install post stiffeners in terminating posts only (posts with 29/64" holes).



Need help?
Call (206) 453-1123
RailFX.net

8. Install Top & Bottom Rail (bottom rail optional)

A. Install bottom rail mounting blocks (only if using bottom rail):



See following detail for bottom RCB mounting position

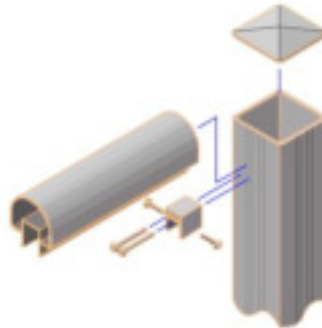
B. Cut and install bottom rail using post to post measurements:

Measure from inside of post to inside of post and cut BR100 bottom rail (bottom rail optional) to fit. Set bottom rails on previously installed RCBs and attach with screws from both sides.

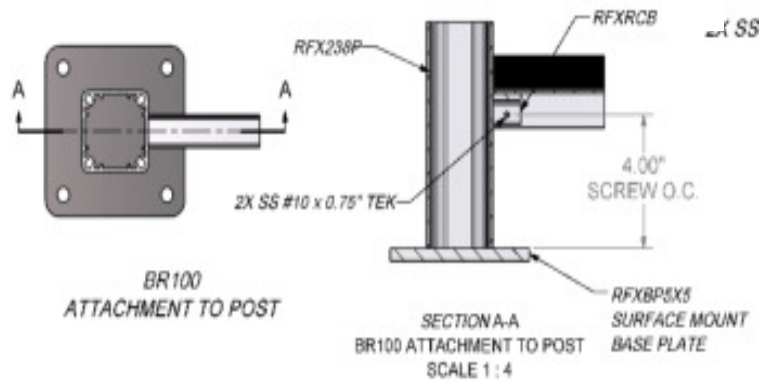


Need help?
 Call (206) 453-1123
RailFX.net

C. Using post to post measurements cut top and bottom rails and set rails on RCBs for attachment:



D. Measure from inside of post to inside of post and cut RFX100 top rail & BR100 bottom rail (bottom rail optional) to fit. Set top and bottom rails on previously installed RCBs and attach with screws from both sides.



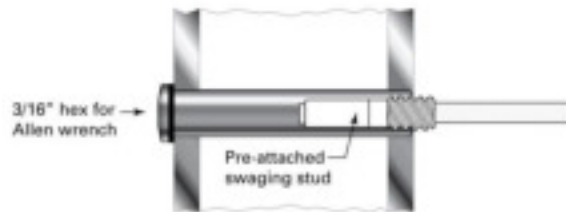
Need help?
 Call (206) 453-1123
RailFX.net

9. Install Cables

A. Slip the Delrin washer over the body of the receiver and insert the receiver into the post.



B. Pull the threaded end of the cable through a 29/64th hole in the end post you wish to tension from and start the threaded stud attached to the cable into the receiver and turn 3 complete turns. This will thread about 1/2 the stud into the receiver.



C. Feed cables through intermediate posts to the terminating post where you will be installing the pull-lock fitting.

D. Slip the Delrin washer over the body of the pull-lock fitting.

E. Rotate the pull-lock fitting clockwise as you push it onto the cable. If the cable begins to unravel, you are rotating the fitting in the wrong direction.



F. Push the pull-lock fitting along the cable and into the hole in your terminating post. While holding the pull-lock fitting against the end post, firmly pull the excess cable through the pull-lock to remove as much slack in the cable as possible. It is important to get the cables as tight as possible before using the threaded cable receiver to tension the cables. If needed use a pair of pliers.



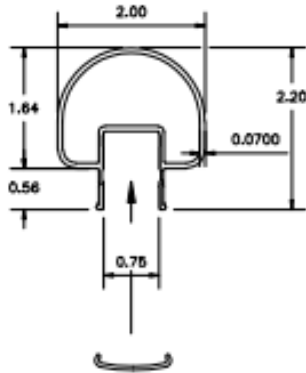
Need help?

Call (206) 453-1123

RailFX.net

10. Install Top Rail Filler Trim

Using the same measurement as the top rail (post to post), cut $\frac{3}{4}$ " wide aluminum extrusion and snap onto bottom of RFX100 rail.



11. Tension Cables

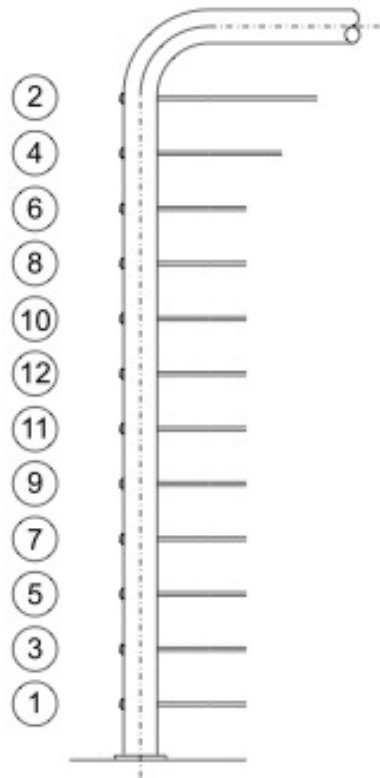
A. After making sure that the cables are as tight as possible by pulling the excess cable firmly through the pull-lock, go to the threaded receiver end of the cable.

B. Hold the cable securely with one hand while using an Allen hex wrench to tighten the cable with the other hand. Be careful not to damage the cable while tensioning.



Need help?
Call (206) 453-1123
RailFX.net

C. Tension cables in the following sequence.



12. Install Post Caps

Set post caps with silicone adhesive.

Need help?
Call (206) 453-1123
RailFX.net



CLEANING AND MAINTENANCE

RailFX products and systems are fabricated with the highest-grade materials available on the market today. Our products are finished with a wet coat applied with the technology that meets AAMA 2605 standards.

Regular Maintenance

Inspection - The only regular maintenance required is fastener/attachment inspection and general cleaning. It is the responsibility of the owner, at a minimum, once every 12 months to inspect fasteners and attachments. Over time fasteners may loosen and require adjustment and/or tightening. Fasteners will discolor over time but this does not affect the integrity and strength of the fastener.

General Cleaning

Materials will accumulate pollens, pollutants, algae or oxidation on the surface, this is part of the natural weathering process. RailFX recommends materials be cleaned at least one (1) time per year with a mild, non-abrasive soap and water solution. In areas where salts and pollutants are more prevalent the materials should be cleaned more frequently. Always rinse with fresh water to remove any residual soap. For optimal results, it is recommended to apply the RailFX Boeshield® T-9 after installation. Follow instructions on the back of the bottle for maximum protection.

Cleaning Guidelines

- Use clean water and soft cloth for coated surfaces
- Apply RailFX Boeshield® T-9 to cable and fastener/attachments
- Use mild dishwashing soap with water and soft cloth for more aggressive cleaning needs
- Remove minor scuff marks or scratches on the posts and rails using Soft Scrub™ or equivalent
- Remove sap, tree seeds, bugs, etc. as soon as possible, additional sun and heat exposure will accelerate adhesion to the coated surface and make removal more difficult
- Clean glass infill with regular glass cleaner or soap and water for glass
- Avoid chemicals, household cleaners, harsh abrasive, etc.
- Always test cleaning products on a small, inconspicuous area before applying any product to RailFX materials
- Have a question, we can help, contact us for additional assistance or visit www.railfx.net

Need help?
Call (206) 453-1123
RailFX.net