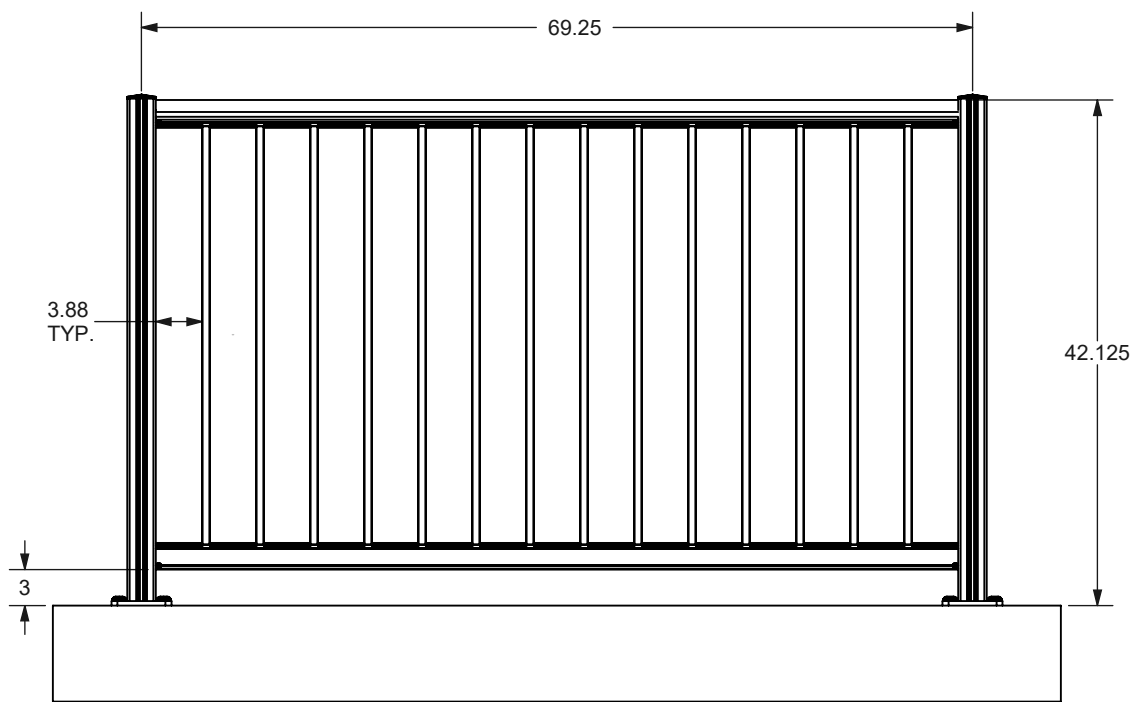



ECR/DCR		REV.	REVISIONS		DATE	APPD
-	-	-	DESCRIPTION	INITIAL RELEASE	7/1/20	NJK



PROPRIETARY AND CONFIDENTIAL

THE INFORMATION CONTAINED IN THIS DRAWING IS THE SOLE PROPERTY OF THE CABLE CONNECTION. ANY REPRODUCTION IN PART OR AS A WHOLE WITHOUT THE WRITTEN PERMISSION OF THE CABLE CONNECTION IS PROHIBITED.

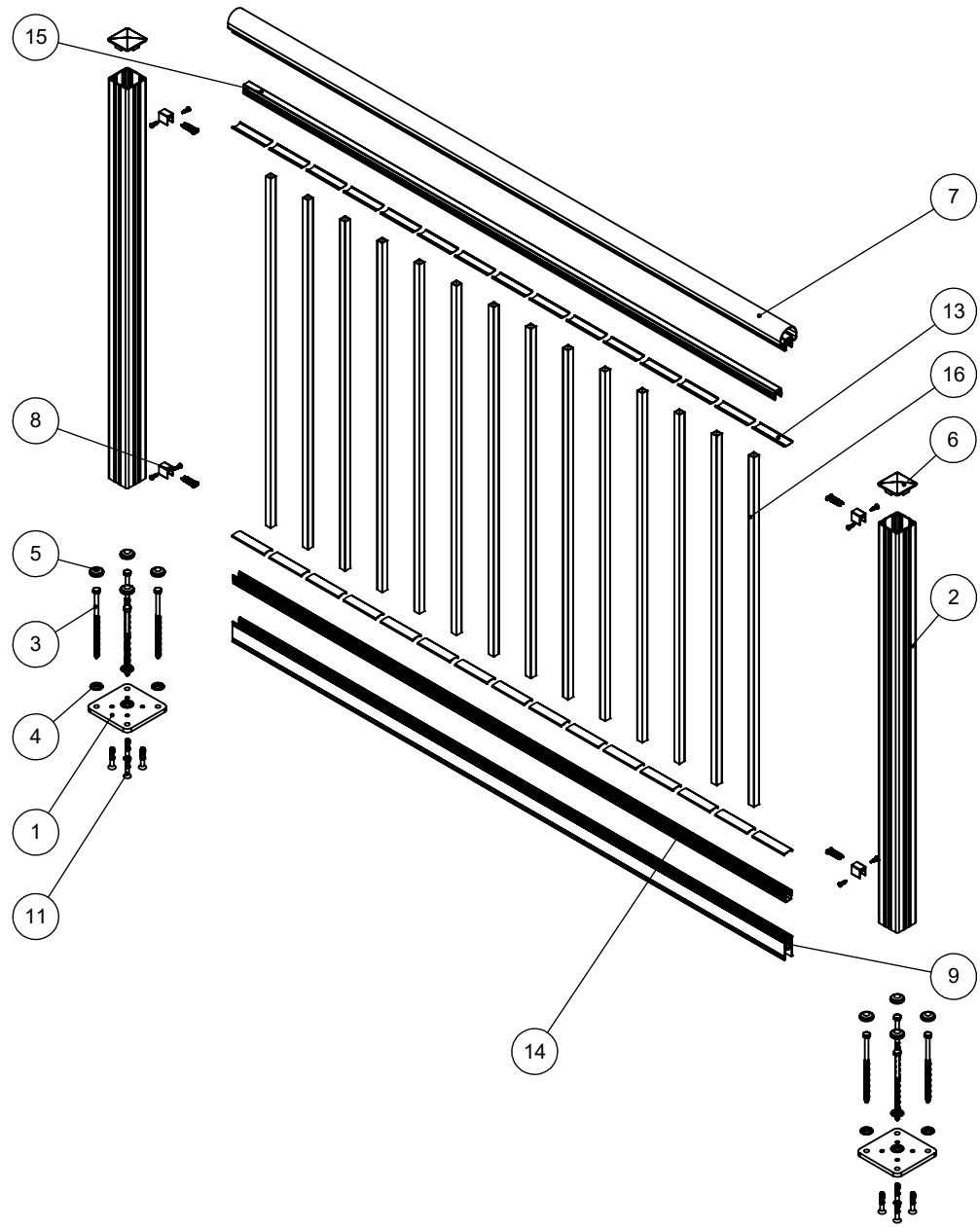
DIMENSIONS ARE IN INCHES		NAME	DATE
TOLERANCES:			
FRACTIONAL: ±1/16"		DRAWN	NJK 7/22/20
ANGULAR: MACH: ±1° BEND: ±1°		CHECKED	
TWO PLACE DECIMAL: ±0.01		ENG APPR.	
THREE PLACE DECIMAL: ±0.005		MFG APPR.	
MATERIAL	Q.A.		
FINISH	COMMENTS:		
DO NOT SCALE DRAWING			



CABLE • SPECIALTY
PICKET INFILL
LEVEL RUN
SYSTEM SCHEMATIC

SIZE	DWG. NO.	REV.
A	RFX-PKT-SYS-L	

SCALE: 1:16 | WEIGHT: | SHEET 1 OF 3



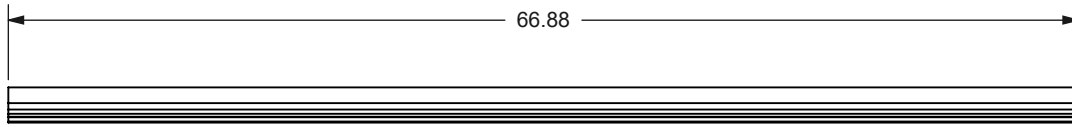
16	14	RFXP-BL	3
15	1	RFXVYNLP (SHORT)	3
14	1	RFXVYNLP (LONG)	3
13	30	RFXPIF-BL	3
12	8	PAN-10-3-4-SS-BL	
11	8	FLH-5-16-18X2.00-TORX	
10	8	PAN-10-1-1-2-SS	
9	1	RFXBR-BL	3
8	4	RFXRCB	
7	1	RFX100-BL	3
6	2	RFXPC-BL	
5	8	RFXPCAP-BL	
4	8	CW-375-ZP Cup Washer	
3	8	HEX-38-LAG-7.00-SS	
2	2	RFX238P-BL	3
1	2	RFXBP5X5-BL	
ITEM NO.	QTY. REQ'D	DESCRIPTION	SHEET NO.

PROPRIETARY AND CONFIDENTIAL
 THE INFORMATION CONTAINED IN THIS
 DRAWING IS THE SOLE PROPERTY OF
 NATIONWIDE INDUSTRIES. ANY
 REPRODUCTION IN PART OR AS A WHOLE
 WITHOUT THE WRITTEN PERMISSION OF
 NATIONWIDE INDUSTRIES IS PROHIBITED.

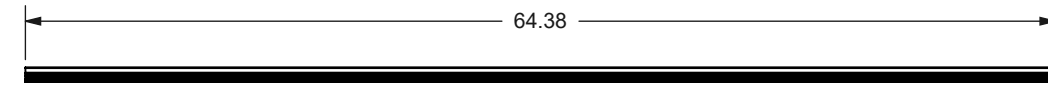
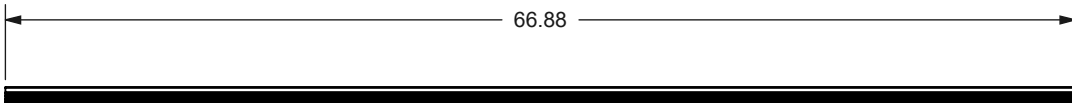
**PICKET INFILL
 LEVEL RUN
 SYSTEM SCHEMATIC**

SIZE DWG. NO. **RFX-PKT-SYS-L** REV.
 SCALE:1:16 | WEIGHT: SHEET 2 OF 3

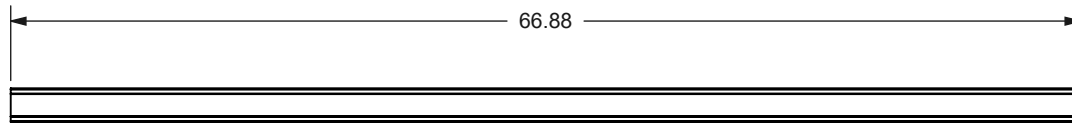
RFX100



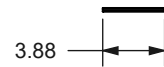
RFXVYNLP



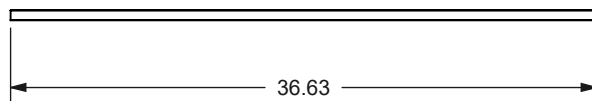
RFXBR



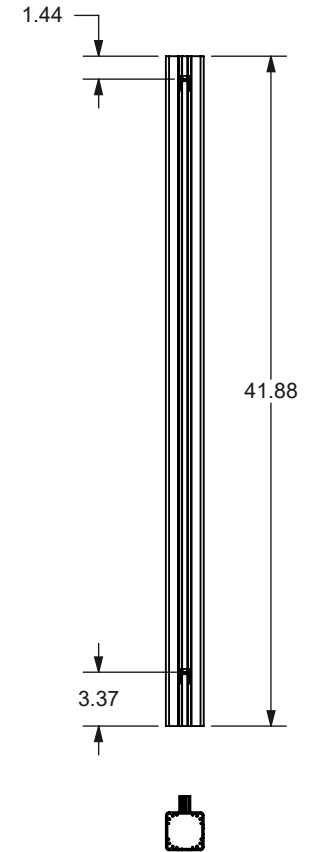
RFXPIF



RFXP



RFX238P



<small>PROPRIETARY AND CONFIDENTIAL THE INFORMATION CONTAINED IN THIS DRAWING IS THE SOLE PROPERTY OF NATIONWIDE INDUSTRIES. ANY REPRODUCTION IN PART OR AS A WHOLE WITHOUT THE WRITTEN PERMISSION OF NATIONWIDE INDUSTRIES IS PROHIBITED.</small>		PICKET INFILL LEVEL RUN SYSTEM SCHEMATIC	
<small>SIZE</small> A	<small>DWG. NO.</small> RFX-PKT-SYS-L	<small>REV.</small>	
<small>SCALE:1:16</small>	<small>WEIGHT:</small>	<small>SHEET 3 OF 3</small>	