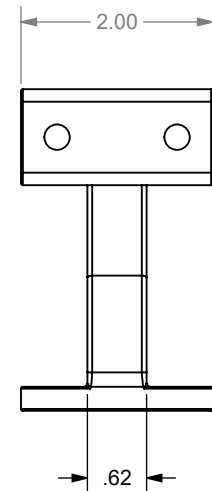
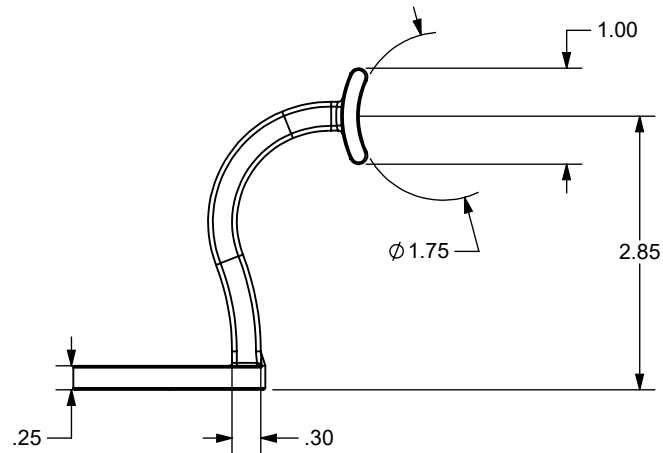
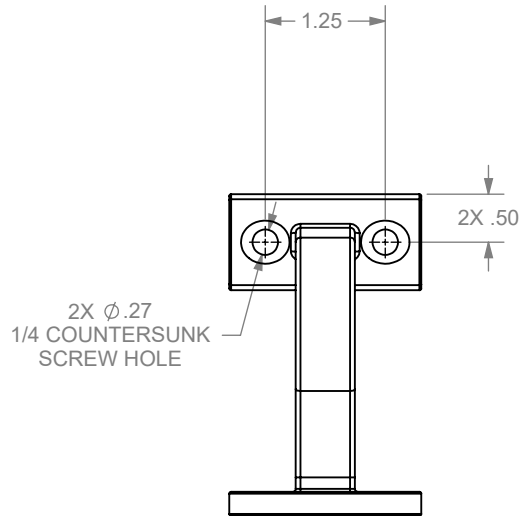
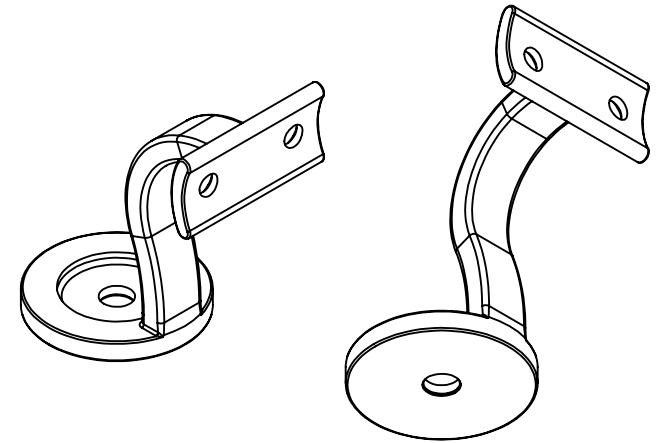
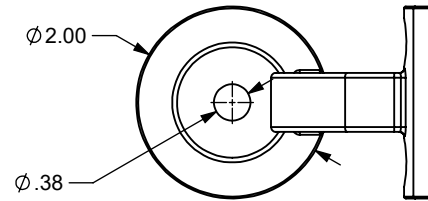


PART NUMBER	FINISH	SPECS
RFXADAMNT-MI	MILL	RAW
RFXADAMNT-BL	BLACK	AAMA 2604 POWDER COAT
RFXADAMNT-BZ	BRONZE	AAMA 2604 POWDER COAT
RFXADAMNT-WH	WHITE	AAMA 2604 POWDER COAT
RFXADAMNT-SI	SILVER	AAMA 2604 POWDER COAT
RFXADAMNT-AN	ANODIZED	215R 1 CLASS 1 CLEAR

REVISIONS		DATE	APPD
ECR/DCR	REV.	DESCRIPTION	
-	-	INITIAL RELEASE	DHL



RFXADAMNT
MATERIAL: A360 ALUMINUM

DIMENSIONS ARE IN INCHES
TOLERANCES:
FRACTIONAL $\pm 1/16"$
ANGULAR: MACH $\pm 1^\circ$ BEND $\pm 1^\circ$
TWO PLACE DECIMAL ± 0.01
THREE PLACE DECIMAL ± 0.005

PROPRIETARY AND CONFIDENTIAL
THE INFORMATION CONTAINED IN THIS
DRAWING IS THE SOLE PROPERTY OF
NATIONWIDE INDUSTRIES. ANY
REPRODUCTION IN PART OR AS A WHOLE
WITHOUT THE WRITTEN PERMISSION OF
NATIONWIDE INDUSTRIES IS PROHIBITED.



RFX
ADA HAND RAIL
MOUNT

SIZE	DWG. NO.	REV.
A	CS--RFXADAMNT	-
SCALE: 1:2	WEIGHT:	SHEET 1 OF 1